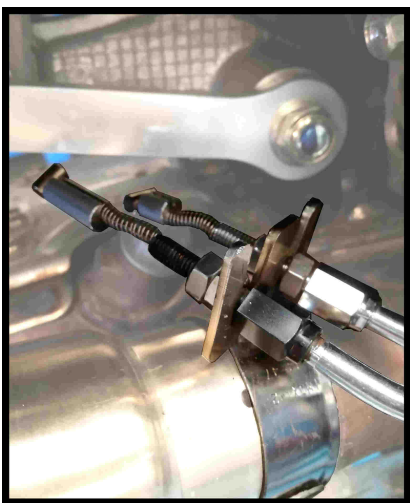
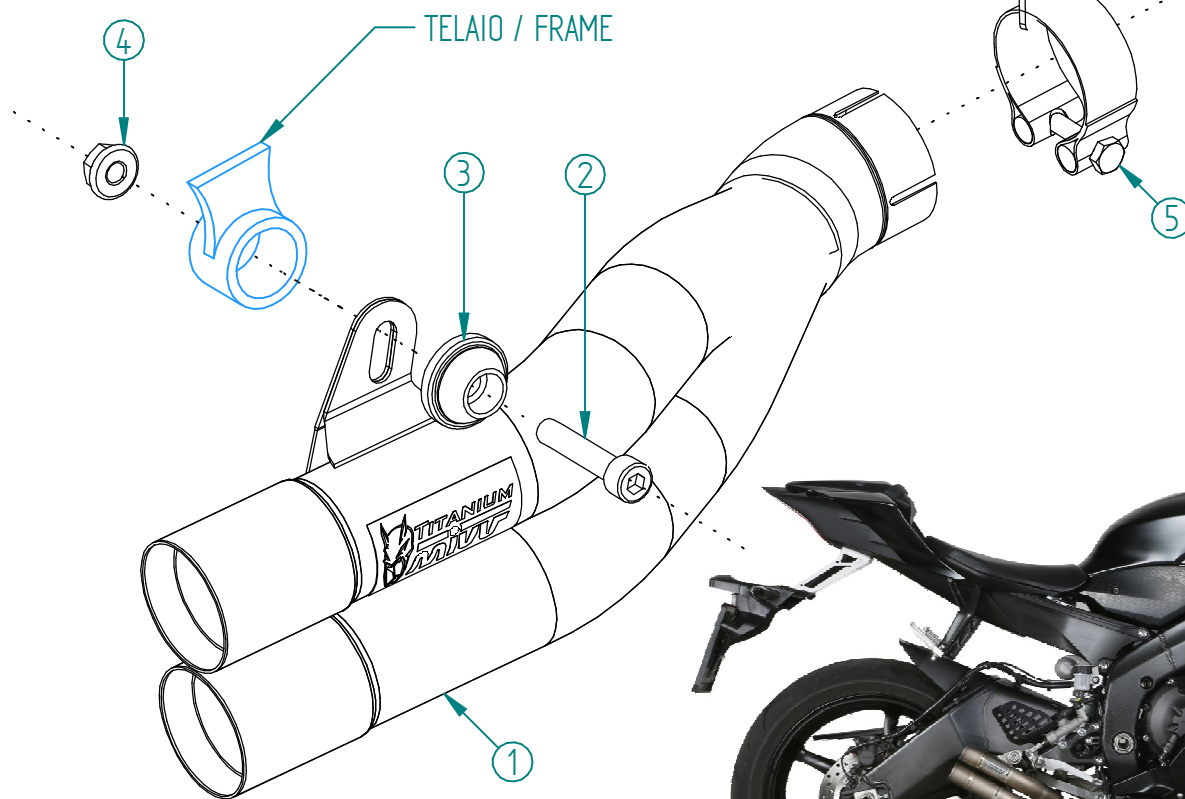
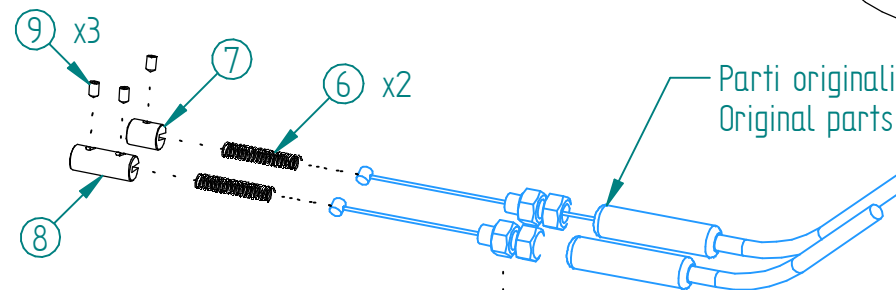


#	DESCRIPTION	PART NUMBER	QTY
1	Silenziatore / Muffler db killer 50.DK.059.0	DOUBLE GUN	1
2	Vite M8x40 / Screw M8x40	50.73.075.1	1
3	Rondella in alluminio / Aluminium washer	50.73.291.1	1
4	Dado M8 flangiato / Flanged nut M8	50.73.393.1	1
5	Fascetta passacavi / fairlead clamp	50.SS.1003.0	1
6	Molla / Spring	50.73.142.1	2
7	Morsetti in alluminio / Aluminium clamps	50.73.139.1	1
8	Morsetti in alluminio / Aluminium clamps	50.73.138.1	1
9	Grani M3 / Grub screws M3	50.73.140.1	3



APPLICAZIONI / APPLICATIONS		
CODICE / CODE	SILENZIATORE / MUFFLER	TUBO / PIPE
Y.063.SDG	TITANIO / TITANIUM	///