



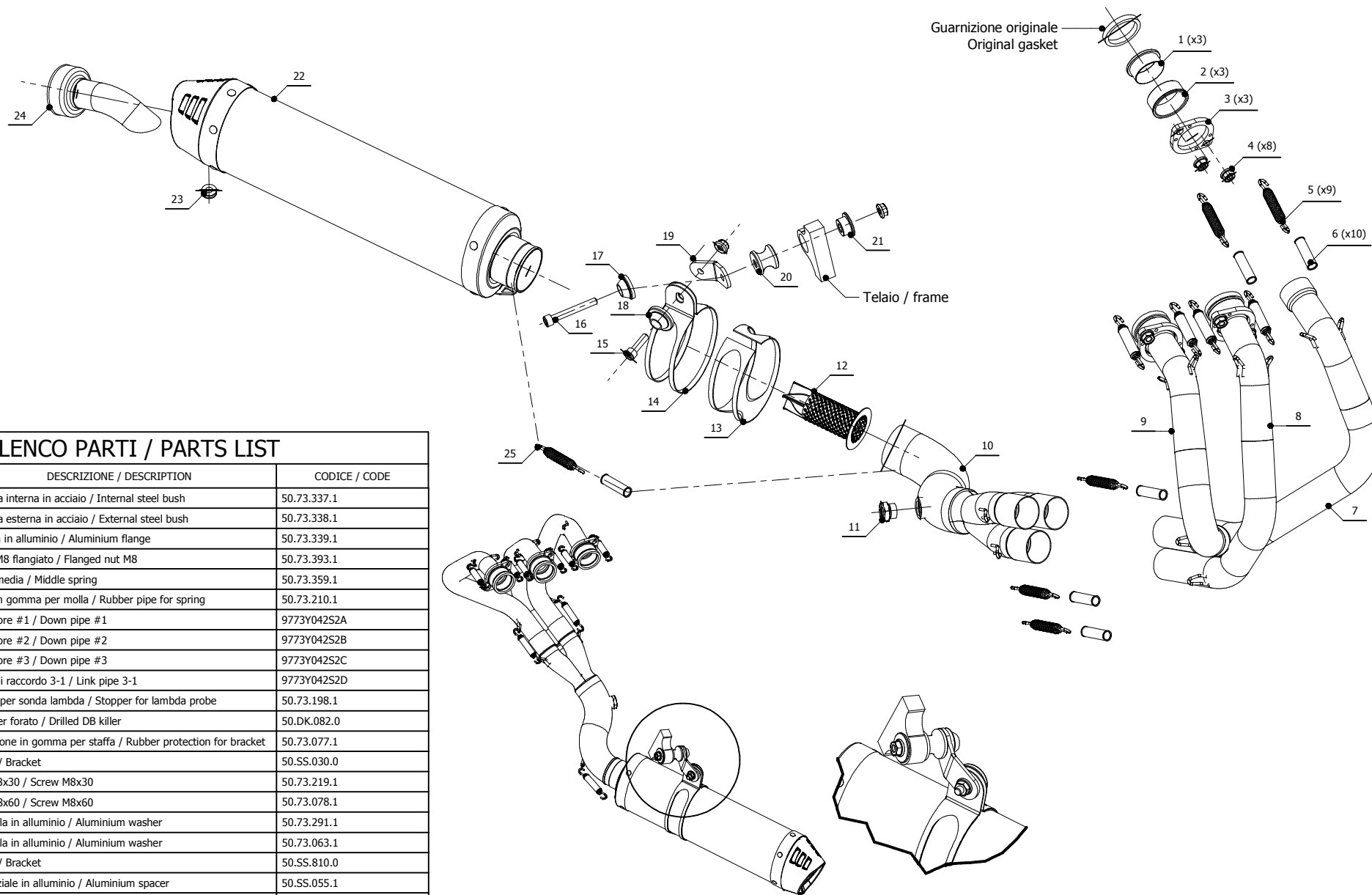
MODEL YAMAHA MT-09

YEAR 2013 -->

LINE SPORT

MUFFLER OVAL CARBON CAP

SCHEMATIC



ELENCO PARTI / PARTS LIST

#	QTÀ / QTY	DESCRIZIONE / DESCRIPTION	CODICE / CODE
1	3	Boccola interna in acciaio / Internal steel bush	50.73.337.1
2	3	Boccola esterna in acciaio / External steel bush	50.73.338.1
3	3	Flangia in alluminio / Aluminium flange	50.73.339.1
4	8	Dado M8 flangiato / Flanged nut M8	50.73.393.1
5	9	Molla media / Middle spring	50.73.359.1
6	10	Tubo in gomma per molla / Rubber pipe for spring	50.73.210.1
7	1	Collettore #1 / Down pipe #1	9773Y042S2A
8	1	Collettore #2 / Down pipe #2	9773Y042S2B
9	1	Collettore #3 / Down pipe #3	9773Y042S2C
10	1	Tubo di raccordo 3-1 / Link pipe 3-1	9773Y042S2D
11	1	Tappo per sonda lambda / Stopper for lambda probe	50.73.198.1
12	1	Db Killer forato / Drilled DB killer	50.DK.082.0
13	1	Protezione in gomma per staffa / Rubber protection for bracket	50.73.077.1
14	1	Staffa / Bracket	50.SS.030.0
15	1	Vite M8x30 / Screw M8x30	50.73.219.1
16	1	Vite M8x60 / Screw M8x60	50.73.078.1
17	1	Rondella in alluminio / Aluminium washer	50.73.291.1
18	1	Rondella in alluminio / Aluminium washer	50.73.063.1
19	1	Staffa / Bracket	50.SS.810.0
20	1	Distanziale in alluminio / Aluminium spacer	50.SS.055.1
21	1	Bussola in alluminio / Aluminium bush	50.73.182.1
22	1	Silenziatore / Muffler	OVAL CARBON CAP
23	1	Tappo in gomma / Rubber stopper	50.73.266.1
24	1	DB killer / DB killer	50.DK.020.0
25	1	Molla lunga / Long spring	50.71.080.1

APPLICAZIONI / APPLICATIONS

CODICE / CODE	TUBO / PIPE	SILENZIATORE / MUFFLER	FASCETTA / CLAMP
Y.042.L3C	INOX / ST. STEEL	CARBONIO (COPPA CARBONIO) / CARBON (CARBON CAP)	INOX / ST. STEEL
Y.042.L4C	INOX / ST. STEEL	TITANIO (COPPA CARBONIO) / TITANIUM (CARBON CAP)	INOX / ST. STEEL